



Colorless Splitter 2 1x8

Tech Specs

SO-SPLITTER-2x8-12.5

Dual Colorless Splitter, Duplex 1x8 PLC Splitter, Duplex LC connectors, 1M, SMF

1. PRODUCT INTRODUCTION

This is a dual colorless splitter for coherent optical applications. This duplex assembly combines and splits optical signals from coherent transceivers through a pluggable EDFA module. The colorless splitter has 1m single-mode fibers with duplex LC connectors on each leg. Our colorless splitters are 100% compliant for all of your networking needs. Our products are guaranteed by federal law to not affect or void OEM warranties.

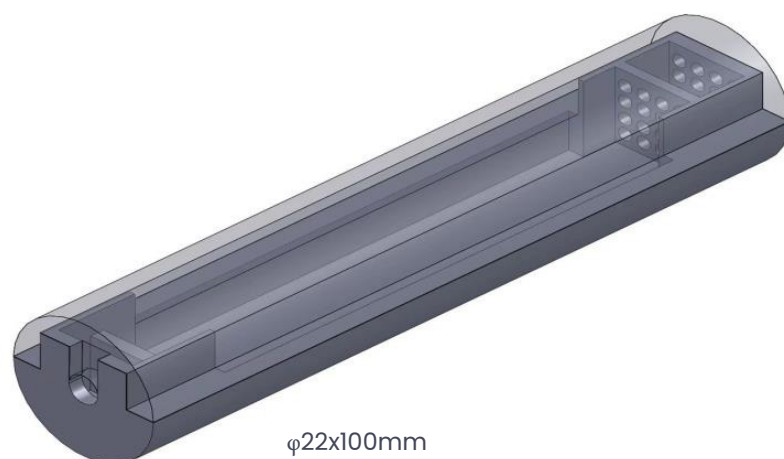
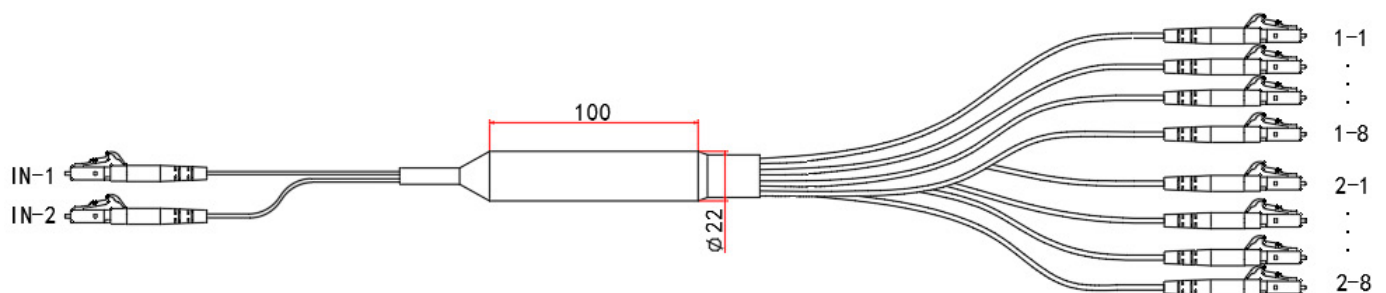
2. PRODUCT SPECIFICATION & FEATURES

- 2 1x8 PLC Splitter
- LC/UPC Connector
- Single-Mode Fiber
- 1M Length
- Supports up to eight channels.
- Operating wavelength: 1260nm to 1650nm.
- Withstands industrial temperatures of -40°C to 85°C.

3. GENERAL SPECIFICATIONS

Items	Specification	Unit
Operating Wavelength	1260 ~ 1650	nm
Insertion Loss	≤10.5	dB
Uniformity	≤0.8	dB
Polarization Dependent Loss	≤0.2	-
Directivity	≥50	dB
Fiber Length (include connector)	1.0±0.05	m
Fiber Type	G657.A1 fiber with 2.0mm cable ,yellow	-
Package Size	φ22x100	mm
Operating Temperature	-40°C to-85°C	°C
Storage Temperature	-40°C to-85°C	°C
Connector Type	LC/UPC	-

4. MECHANICAL DIMENSIONS



8. DISCLAIMER & COPYRIGHT

This document is written with the utmost care. Specifications, figures, data and illustrations provided in this document are based on information that is believed to be reliable and accurate. We don't accept any liability for damages derived from incomplete, inaccurate, outdated and/or otherwise incorrect specifications, figures, data or illustrations. We do not intend to suggest that we are the creators or trademark owners of any other manufacturers' products. Information is subject to change without notice. Solid Optics and the Solid Optics logo are registered trademarks of Solid Optics EU Holding N.V. All other trademarks are acknowledged as registered trademarks and proprietary to their respective owners. Copyright © 2019 Solid Optics EU N.V., Dutch Chamber of Commerce no. 39099087, all rights reserved. For more information visit www.solid-optics.com



Get in touch



EU Customer Support
+31 (0) 88 342 3776
info@solid-optics.com



US Customer Support
+1 855 678 4271
infous@solid-optics.com