

576F 19-inch 4U High Density Panel

Tech Specs

SO-HD-CHASSIS-4U

576F 19-inch 4U High Density Panel

1. PRODUCT INTRODUCTION

This is a 4U, 19-inch rack-mount high density panel for high speed data breakout applications. This patch panel holds high density fiber cassettes with a max fiber count of 576 fibers. Our smart design provides firm, space saving protection for all your optic cables. We provide you with an integrated, cost effective solution for all of your network upgrade needs.

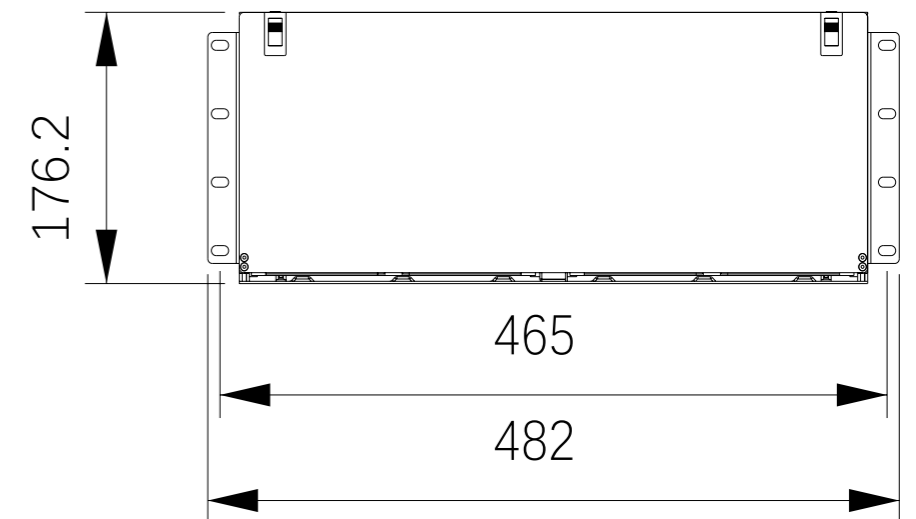
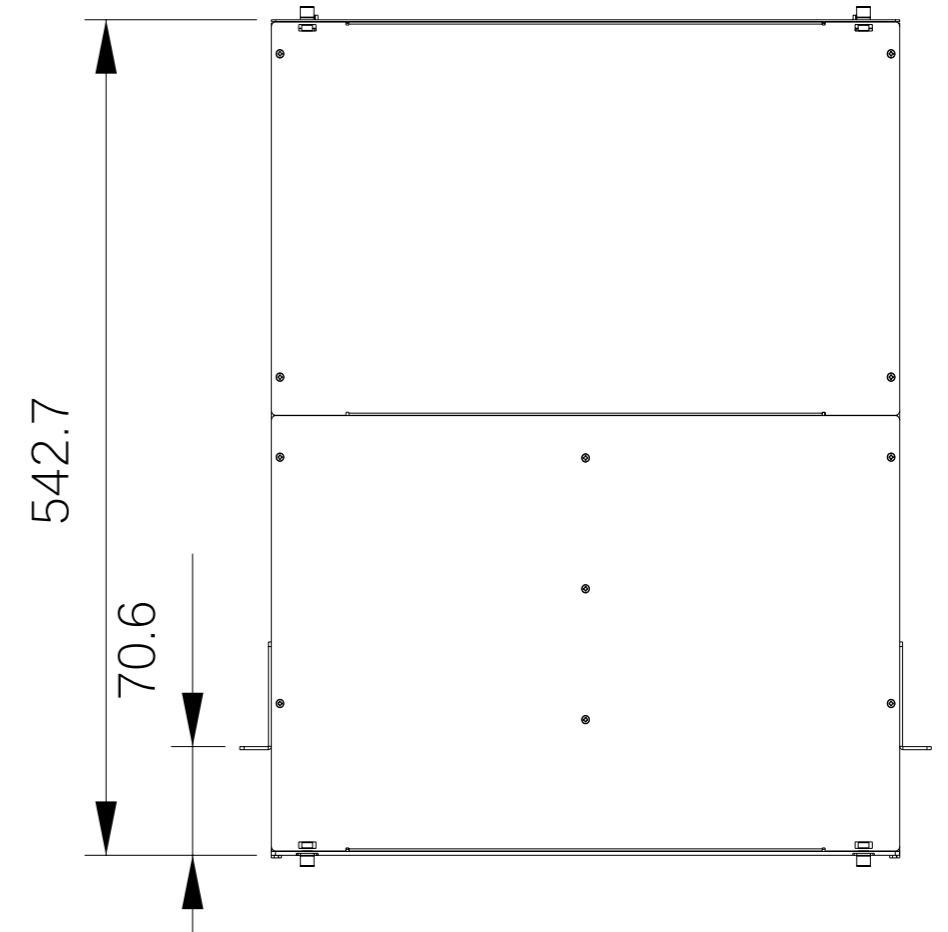
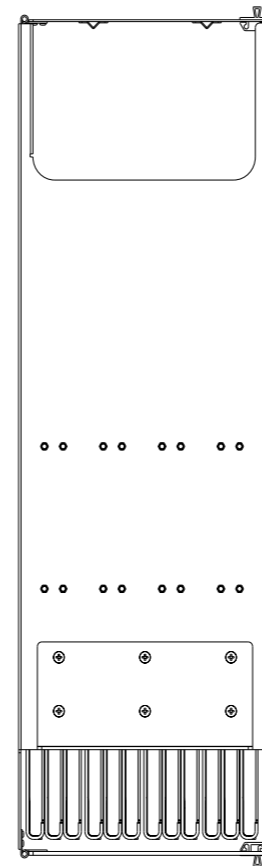
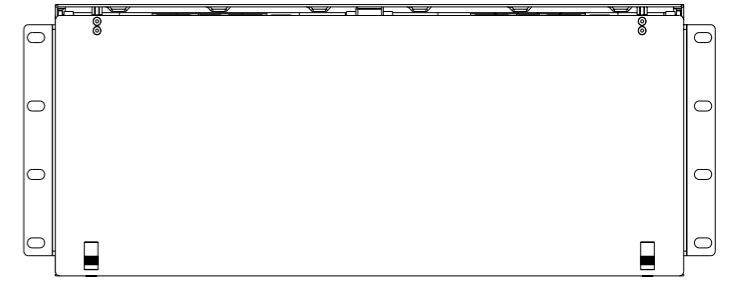
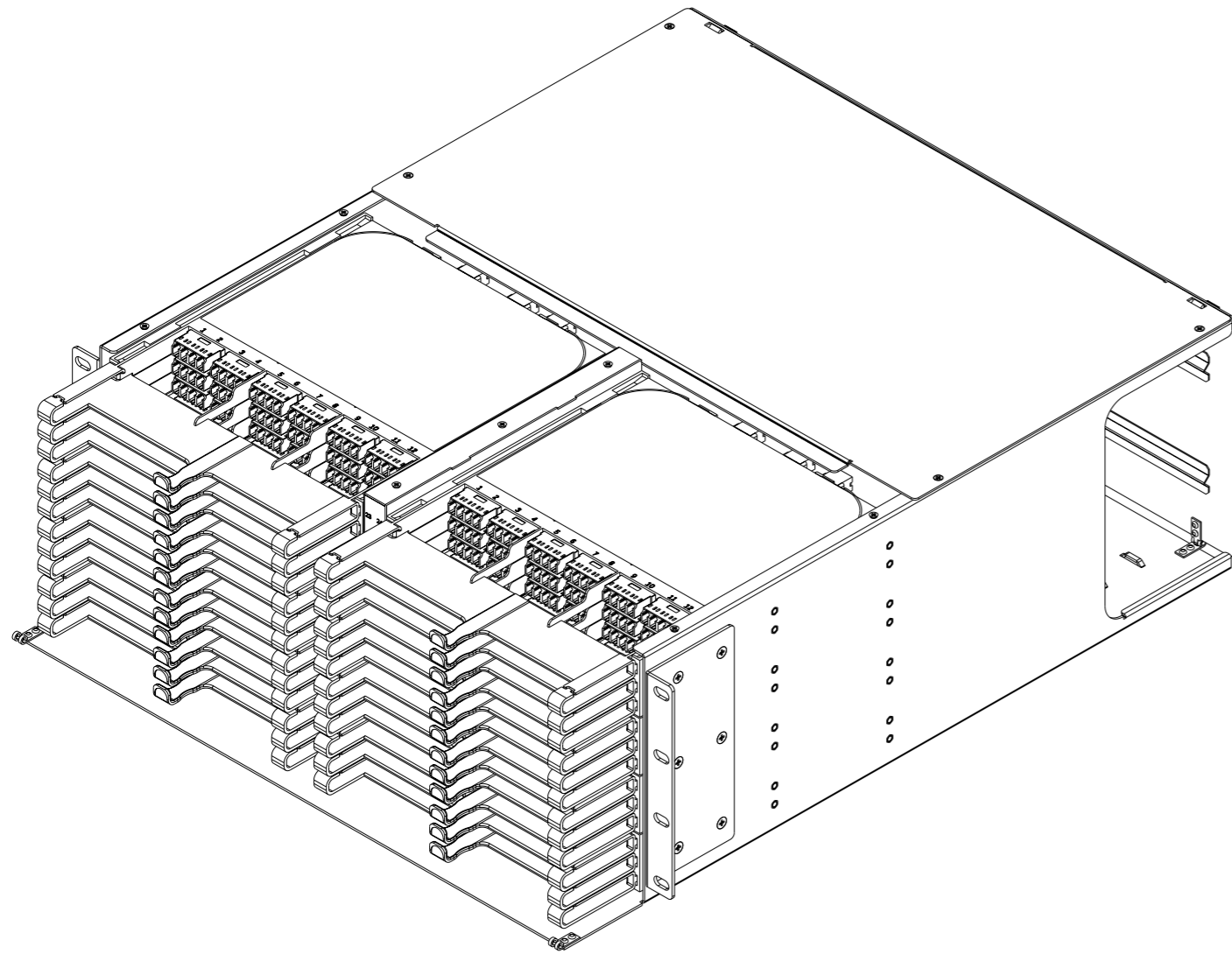
2. PRODUCT SPECIFICATION & FEATURES

- 4U Chassis
- 12-Slot 4U 19" Rack Mount
- Holds 24, 24-fiber tray-cassettes
- Maximum 576 fiber terminations
- Front and rear access to fiber cabling

3. GENERAL SPECIFICATIONS

Items	Specification	Unit
Dimensions	542.7 (L) x 482 (W) x 176.2 (H)	mm
Chassis Material Thickness	1.5	mm

4. MECHANICAL DIMENSIONS





Get in touch



EU Customer Support
+31 (0) 88 342 3776
info@solid-optics.com



US Customer Support
+1 855 678 4271
infous@solid-optics.com